

HLZ-800 Bronze Globe Valve - PN16

Product Features

- Globe Valve Used for On/Off Isolation and throttling Application.
- Robust and high quality bronze body


HLZ-800

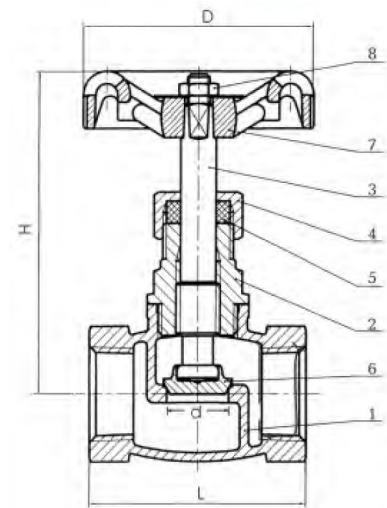
Pressure/Temperature Ratings

TEMPERATURE (°C)	-10 to 100	170
PRESSURE (BAR)	16	8

Interpolation shall be used to calculate intermediate pressure rating.

Materials

NO.	PART	MATERIAL
1	Body	Bronze CC491K
2	Bonnet	Bronze CC491K
3	Stem	DZR Brass CW602N
4	Packing Nut	Brass CW614N
5	Packing	PTFE
6	Disc	Bronze CC491K
7	Hand Wheel	Aluminum
8	Hand Wheel Nut	Stainless Steel



Dimensions

DN	D(mm)	L(mm)	H(mm)	d(mm)
15	52	49	71	14
20	60	56	73	14
25	65	66	87	19
32	70	74	95	24
40	78	85	110	32
50	92	100	124	38

PRESSURE RATING : PN16

WORKING MEDIUM : WATER, OIL, STEAM

TEMPERATURE OPERATING RANGE : -10 to 170°C

END CONNECTION : Taper Pipe threaded to (ISO 7)