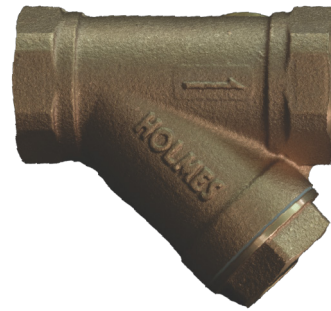


HLZ-300
Bronze Strainer - PN20
Product Features

- Robust and high quality bronze body
- Streamlined flow contours minimise pressure drop
- Compact design with short face to face
- Perforated stainless steel screen
- Captive asbestos-free non-stick PTFE Cap Seal


HLZ-300
Pressure/Temperature Ratings

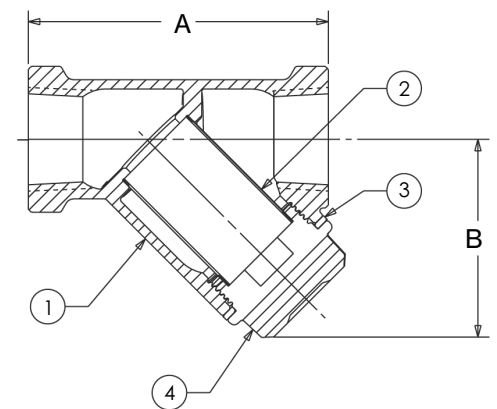
TEMPERATURE (°C)	-10 to 100	170
PRESSURE (BAR)	20	9

Intermediate pressure ratings shall be determined by interpolation.

WRAS approval -10 to 85°C

Materials

NO.	PART	MATERIAL
1	Body	Bronze to BS EN 1982 CC491K
2	Mesh	Stainless Steel 304
3	Cap Seal	PTFE
4	Cap	Bronze to BS EN 1982 CC491K


Dimensions & Weights

SIZE (inch)	MESH HOLE Ø (mm)	A (mm)	B (mm)
1/2	0.75	58	33
3/4	0.75	70	41
1	0.75	88	49
1 1/4	1.40	96	56
1 1/2	1.40	107	62
2	1.40	126	80

PRESSURE RATING : PN20

TEMPERATURE OPERATING RANGE : -10° to 170°C **END**
CONNECTION : Taper threaded to BS EN 10226-2 (ISO 7) formerly BS 21

SPECIFICATION : Bronze Y Strainer, with body and cap to BSEN1982 CC491K, SS 304 Screen, PTFE Cap seal, PN20 rating.

End connections : Threaded to BS EN 10266 (BS 21 Taper ISO R7) & B1.201