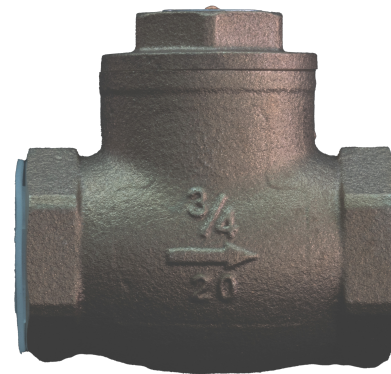


# HLZ-400 Bronze Swing Check Valve - PN20

### Product Features

- Check valves permit flow in one direction only and close automatically if flow reverses
- Horizontal swing pattern
- Robust and high quality bronze body


**HLZ-400**

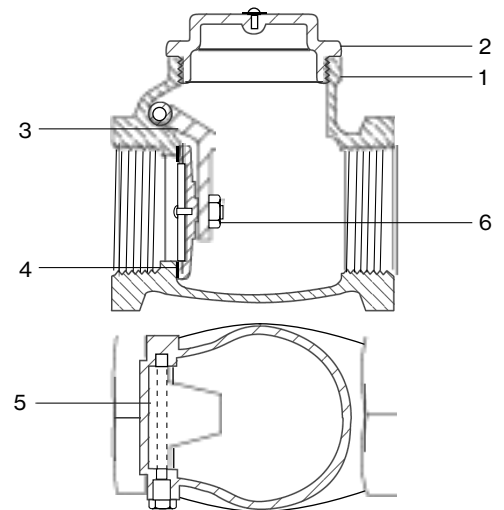
### Pressure/Temperature Ratings

TEMPERATURE (°C)	-10 to 100	170
PRESSURE (BAR)	20	8

Interpolation shall be used to calculate intermidate pressure rating.

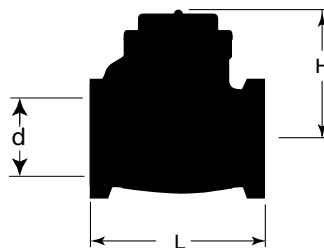
### Materials

NO.	PART	MATERIAL
1	Body	Bronze to BS EN 1982 CC491K
2	Cap	Bronze to BS EN 1982 CC491K
3	Hinge	Bronze to BS EN 1982 CC491K
4	Disc	Bronze to BS EN 1982 CC491K
5	Hinge Pin	Stainless Steel
6	Hinge Nut	DZR Brass BS EN 12164 CW602N



### Dimensions

SIZE (inch)	d(mm)	L(mm)	H(mm)
1/2	13	58	37
3/4	19	66	43
1	25	76	49
1 1/4	32	88	58
1 1/2	39	96	63
2	50	112	72



**PRESSURE RATING :** PN20

**TEMPERATURE OPERATING RANGE :** -10 to 170°C

**END CONNECTION :** Taper threaded to BS EN 10226-2 (ISO 7-1) formerly BS 21