

Product Features

- Robust and high quality brass body
- Streamlined flow contours minimise pressure drop
- Perforated stainless steel screen
- Captive asbestos-free non-stick PTFE gasket

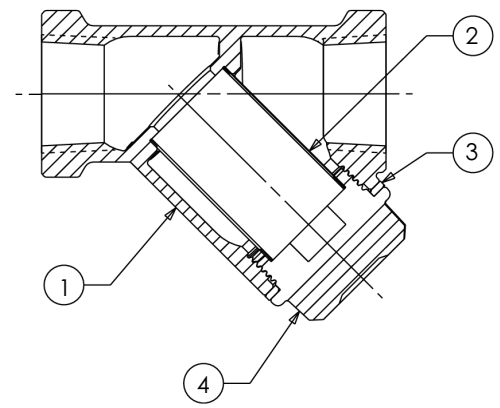

HLS-300
Pressure/Temperature Ratings

TEMPERATURE (°C)	-10 to 100	170
PRESSURE (BAR)	16	9

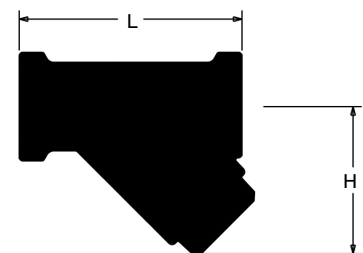
Intermediate pressure ratings shall be determined by interpolation.

Materials

NO.	PART	MATERIAL
1	Body	Brass CW617N
2	Mesh	Stainless Steel to AISI 304
3	Cap Seal	PTFE
4	Cap	Brass CW617N


Dimensions

DN	MESH HOLE Ø (mm)	L (mm)	H (mm)
15	0.75	74	40
20	0.75	86.5	45
25	0.75	108	64
32	1.40	122	71
40	1.40	135	81
50	1.40	163	96



PRESSURE RATING : PN16

TEMPERATURE OPERATING RANGE : -10° to 170°C

SPECIFICATION: Brass Y Strainer, with body and cap to Brass CW617N , SS 304 Screen, PTFE Cap seal, PN16 rating.

End connections: threaded to ISO 228