

HLZ-500 Bronze Pressure Reducing Valve - PN20

Product Features

- PRVs enable control of pressure from boosted hot and cold water supplies to match site requirements
- Includes male union tail-pieces for ease of maintenance, reducing time spent on site
- Features an integral strainer preventing debris from affecting valve performance
- Recommend that isolation valves are fitted upstream and downstream of the valve to enable isolation for cleaning of strainer
- Performance in accordance with BS EN 1567 for quality assurance
- Easy access for measuring the outlet pressure
- A pressure gauge is available to measure outlet pressure for each installed valve and should be ordered separately
- WRAS Approved to 80°C for drinking water applications

Pressure/Temperature Ratings

| | | |
|------------------|-----------|----|
| TEMPERATURE (°C) | -10 to 50 | 70 |
| PRESSURE (BAR) | 20 | 6 |

Interpolation shall be used to calculate intermidate pressure rating.

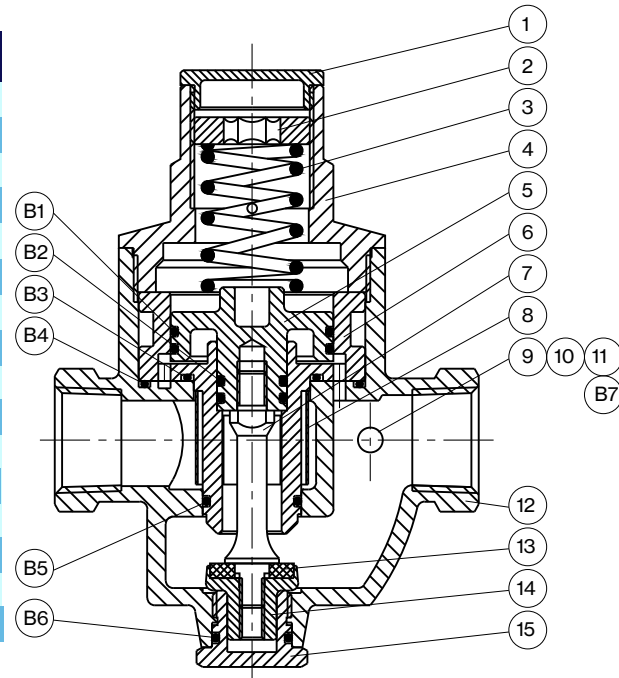
Materials

| NO. | PART | MATERIAL |
|--------|------------------|-----------------------------|
| 1 | Tap Lid | Brass BS EN 12164 CW614N |
| 2 | Adjusting Screw | Brass BS EN 12164 CW614N |
| 3 | Spring | Mn 65 |
| 4 | Bonnet | Bronze to BS EN 1982 CC491K |
| 5 | Core | Brass BS EN 12164 CW614N |
| 6 | Core Seat | Brass BS EN 12164 CW614N |
| 7 | Connection Peice | Brass BS EN 12164 CW614N |
| 8 | Mesh | Stainless Steel 304 |
| 9 | Male Plug | Bronze to BS EN 1982 CC491K |
| 10 | Gague | As Per Required |
| 11 | Gasket | NBR |
| 12 | Body | Bronze to BS EN 1982 CC491K |
| 13 | Gasket | NBR |
| 14 | Disc | Brass BS EN 12164 CW614N |
| 15 | Bottom Lid | Brass BS EN 12164 CW614N |
| B1: B7 | O Ring | NBR |



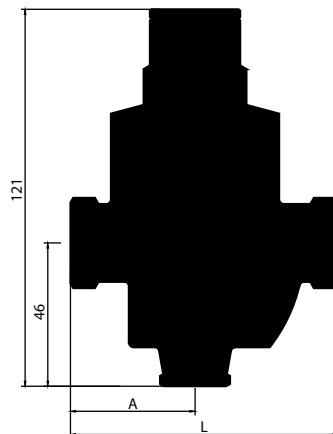
WRAS
APPROVED PRODUCT

HLZ-500



Dimensions

| SIZE (inch) | L(mm) | B (mm) |
|-------------|-------|--------|
| 1/2 | 89 | 41.5 |
| 3/4 | 92 | 43 |
| 1 | 98 | 46 |



PRESSURE RATING : PN20

TEMPERATURE OPERATING RANGE : -10 to 70°C

END CONNECTION : Taper threaded to BS EN 10226-2 (ISO 7-1) formerly BS 21

HLZ-500 Bronze Pressure Reducing Valve - PN20
